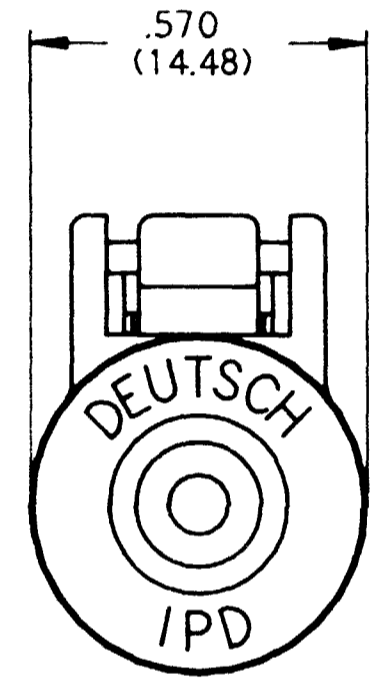
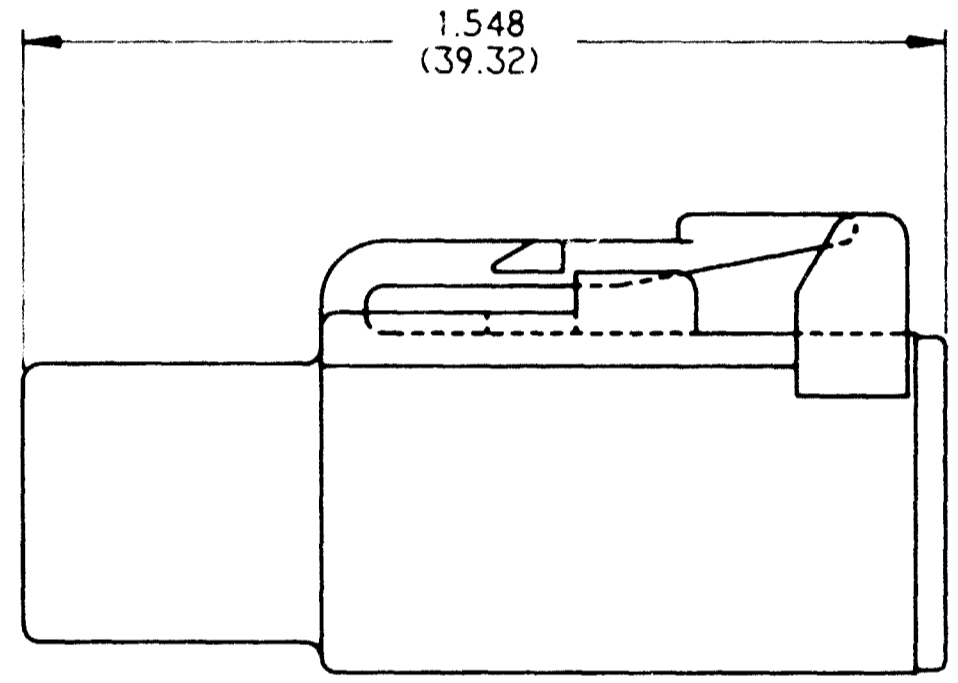
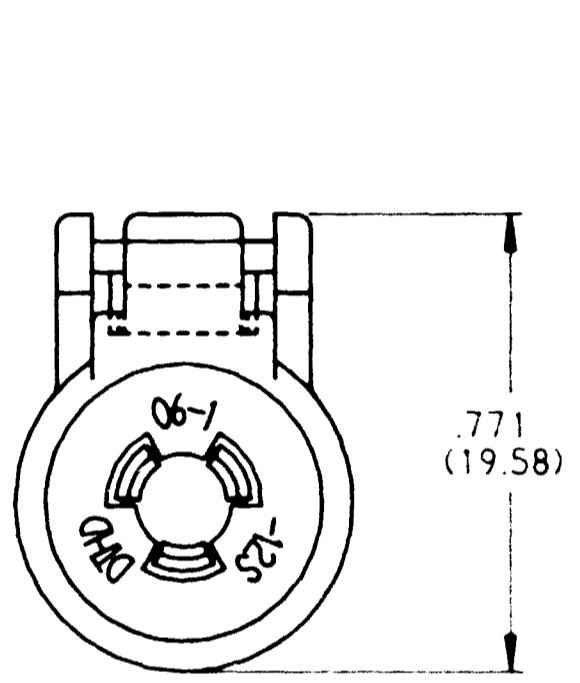


REV
NC DTHD06-1-12S-E003

REVISIONS			
SYM	DESCRIPTION	DATE	APPROVED
NC	NEW RELEASE PER E.O. A14636	12-6-94	RDR



- NOTES:
3. CONSULT FACTORY FOR CONTACT SPECIFICATION AND APPLICATION.
 2. ALL DIMENSIONS ARE FOR REFERENCE ONLY.
 1. ALL DIMENSIONS ARE IN INCHES (METRIC).

SIGNATURE & DATE	
DR	JNORRIS 06DEC94
CHK	<i>[Signature]</i> 12/6/94
PE	<i>[Signature]</i> 12/6/94
APPD	R. Reed 12-6-94
SCALE	NONE WT

PLUG
POWER DT
SIZE 12
HD CONTACTS
-E003 MOD.
ENVELOPE

CP	MATL. CODE
The Deutsch Company DEUTSCH I.P.D. 37140 INDUSTRIAL AVE. HEMET, CALIF. 92343	
DTHD06-1-12S-E003	
DWG SIZE	SHEET 1 OF 1